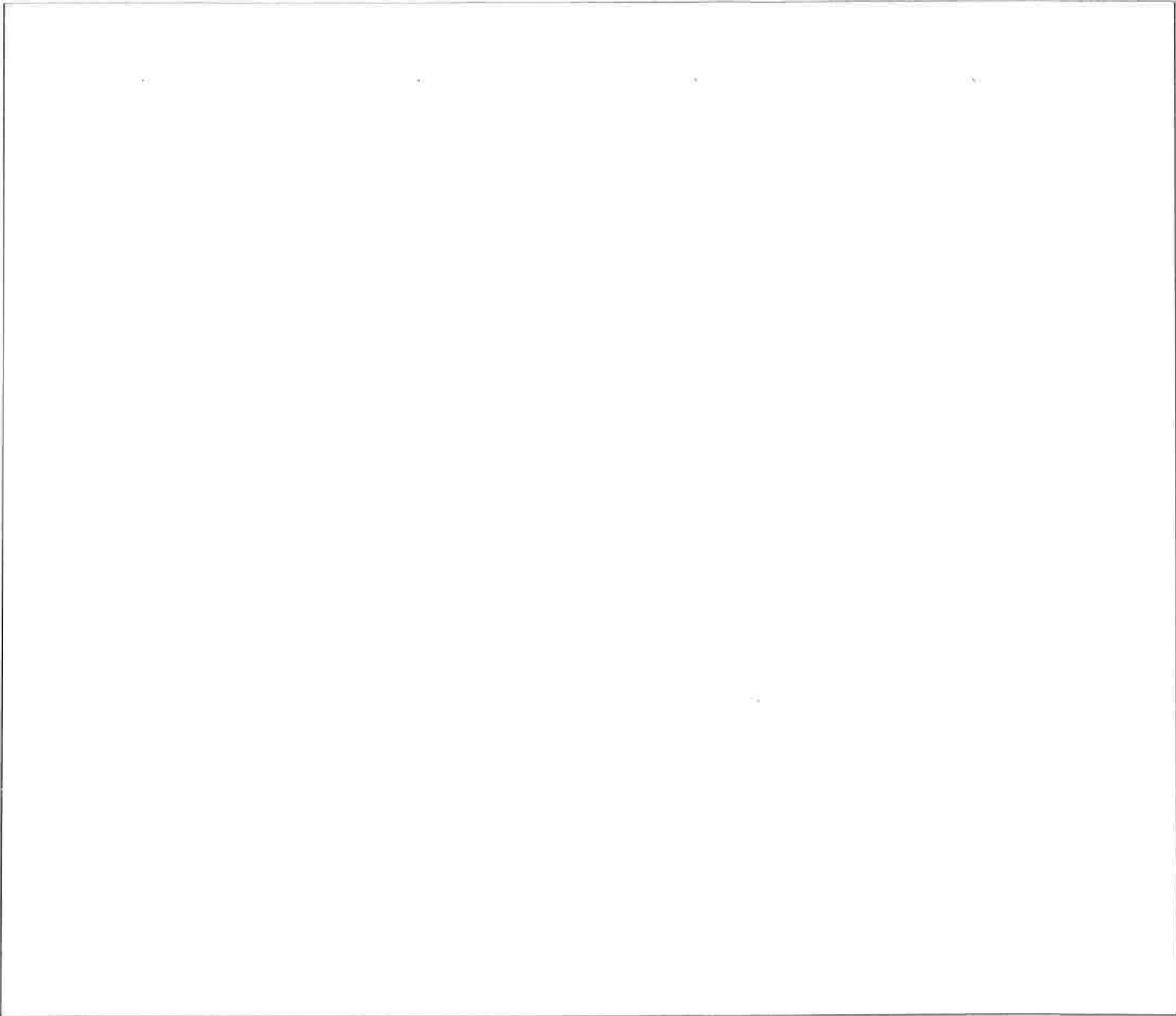
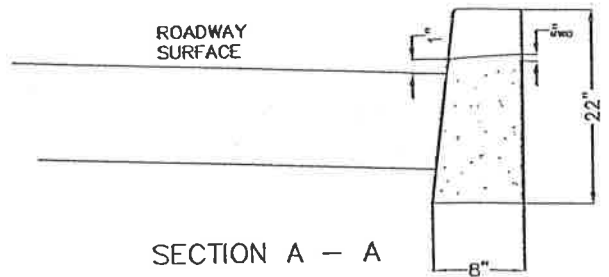
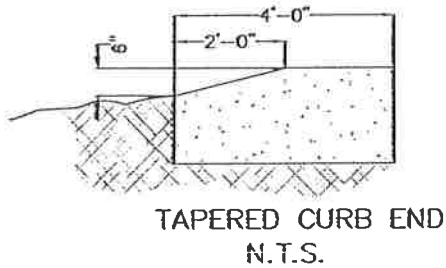
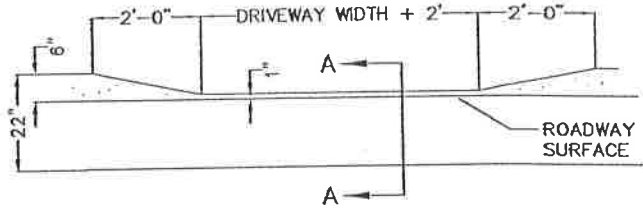
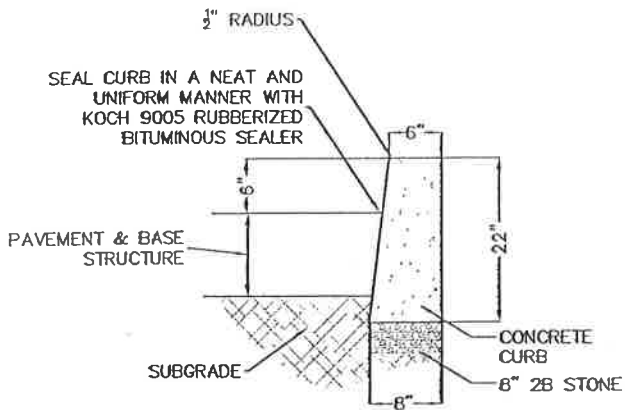


Sketch of Property where work will be done. Show house, property lines, any other structures and cross streets.



DO NOT WRITE BELOW THIS LINE --- FOR OFFICE USE ONLY

Permit # _____	Notes: _____
Permit Issued _____	_____
Permit Fee _____	_____



DEPRESSED CURB
N.T.S.

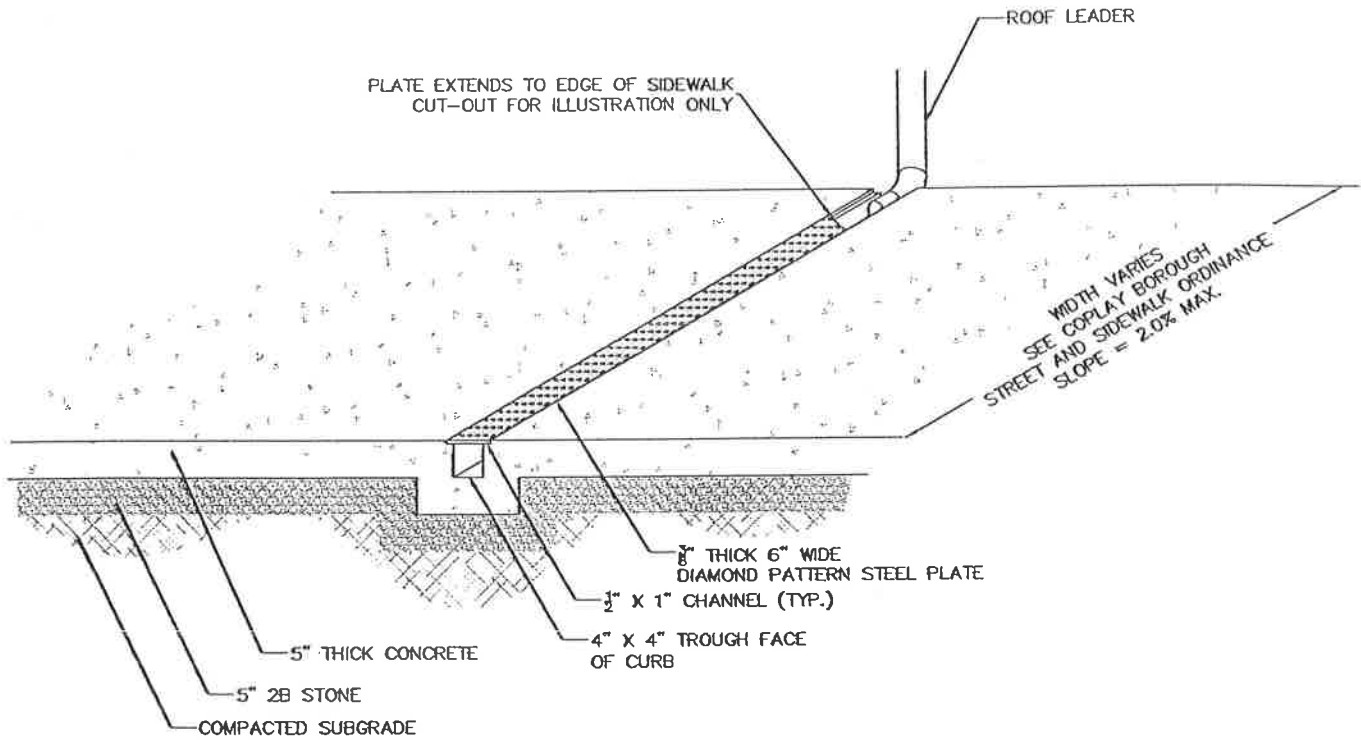
NOTES:

1. EXISTING CURB REMOVAL SHALL BE IN COMPLETE SECTIONS (JOINT TO JOINT), NOT PARTIAL SECTIONS.
2. PROVIDE MATERIALS AND CONSTRUCTION MEETING THE REQUIREMENTS OF PENNDOT SPECIFICATIONS, PUBLICATION 408, CURRENT EDITION, SECTION 630.
3. SPACE CONSTRUCTION JOINTS IN UNIFORM LENGTHS OR SECTIONS, 10'-0" MAX. TO 4'-0" MIN.
4. PLACE 1/2 INCH BITUMINOUS PREMOLDED EXPANSION JOINT FILLER MATERIAL AT STRUCTURES AND AT THE END OF THE WORK DAY. CUT MATERIAL TO CONFORM TO AREA ADJACENT TO CURB OR TO CONFORM TO CROSS SECTIONAL AREA OF CURB.
5. EXPANSION JOINT SHALL BE SPACED NO MORE THAT 30'-0".

CONCRETE CURB DETAIL
N.T.S.

BOROUGH OF COPLAY
LEHIGH COUNTY, PA

CONCRETE CURB
STREET AND SIDEWALK STANDARDS
ACELA ENGINEERING CO.
1275 GLENLIVET DR, SUITE 100
ALLENTOWN, PA 18106



STANDARD SIDEWALK DETAIL

NOTES:

1. EXISTING SIDEWALK REMOVAL SHALL BE IN COMPLETE SECTIONS (JOINT TO JOINT), NOT PARTIAL SECTIONS.
2. PROVIDE MATERIALS AND CONSTRUCTION MEETING THE REQUIREMENTS OF PENNDOT SPECIFICATIONS, PUBLICATION 408, CURRENT EDITION, SECTION 676.
3. SPACE CONSTRUCTION JOINTS IN UNIFORM LENGTHS OR SECTIONS, 10'-0" MAX. TO 4'-0" MIN.
4. PLACE 1/2 INCH BITUMINOUS PREMOLDED EXPANSION JOINT FILLER MATERIAL AT STRUCTURES AND AT THE END OF THE WORK DAY. CUT MATERIAL TO CONFORM TO AREA ADJACENT TO CURB OR TO CONFORM TO CROSS SECTIONAL AREA OF CURB.
5. EXPANSION JOINT SHALL BE SPACED NO MORE THAT 30'-0".

CONCRETE SIDEWALK DETAIL
N.T.S.

BOROUGH OF COPLAY
LEHIGH COUNTY, PA

CONCRETE CURB
STREET AND SIDEWALK STANDARDS

ACELA ENGINEERING CO.
1275 GLENLIVET DR, SUITE 100
ALLENTOWN, PA 18106